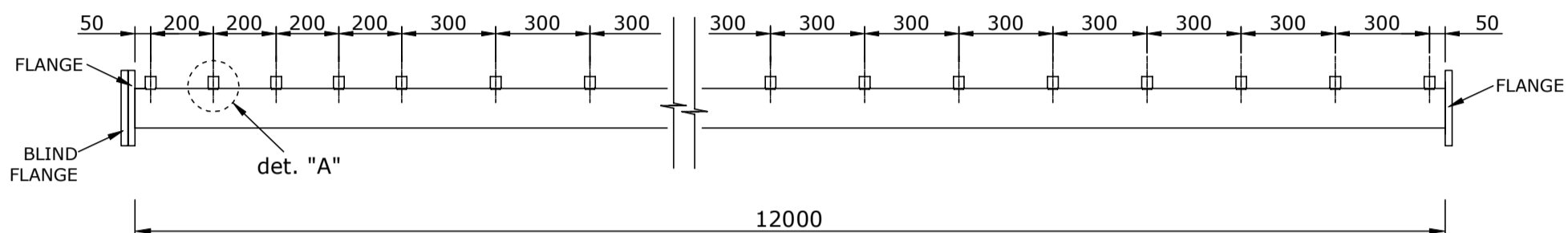
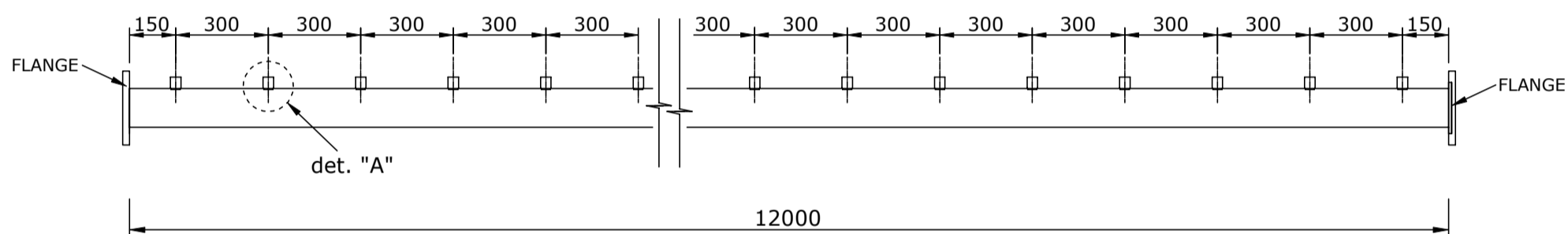


SS STEEL 316L PIPES

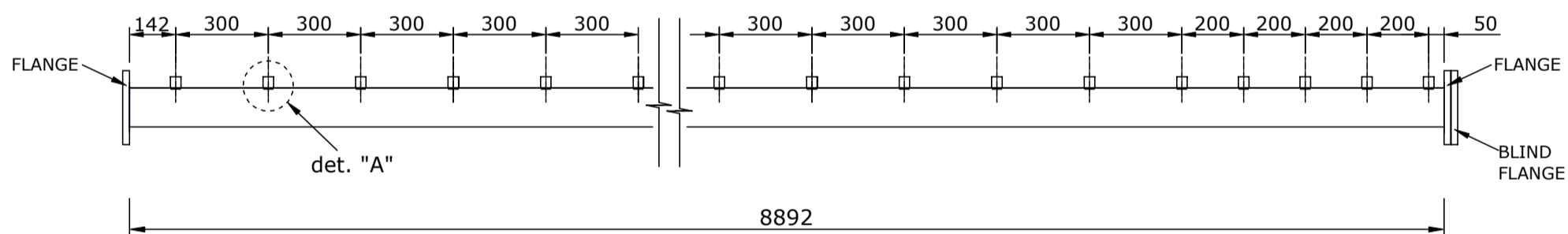
pipe segment "A" - 14 pcs. (DN125 = 139.7x2.6)
42 pcs. pipe sleeve joint for 1 pipe



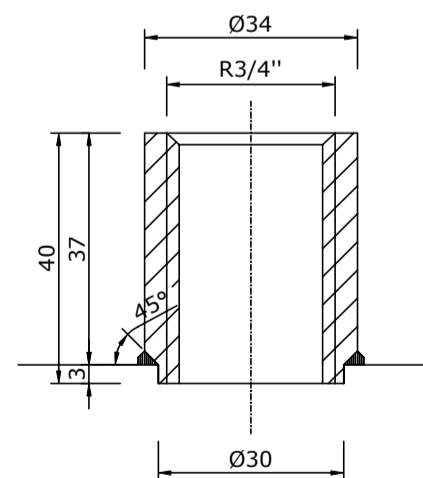
pipe type "B" - 56 pcs. (DN125 = 139.7x2.6)
40 pcs. pipe sleeve joint for 1 pipe



pipe type "C" - 14 pcs. (DN125 = 139.7x2.6)
31 pcs. pipe sleeve joint for 1 pipe



det. "A"
SLEEVE PIPE JOINT AISI 316L



note:
all FLANGE DN125/PN16 AISI 316L - Ø250/Ø210/22x8 holes (Ø18) w. teflon gasket (seal)
all BLIND FLANGE DN125/PN16 AISI 316L - Ø250/Ø210/22x8 holes (Ø18) w. teflon gasket (seal)
Total quantity of SLEEVE PIPE JOINT AISI 316L: 3262 pcs.